

Model:3J-RW-2

EN >>

Catalog

use

Main component name	02
Precautions	03
Skylight use	04
Installation size	07
Packing List	08
Installing skylight	09

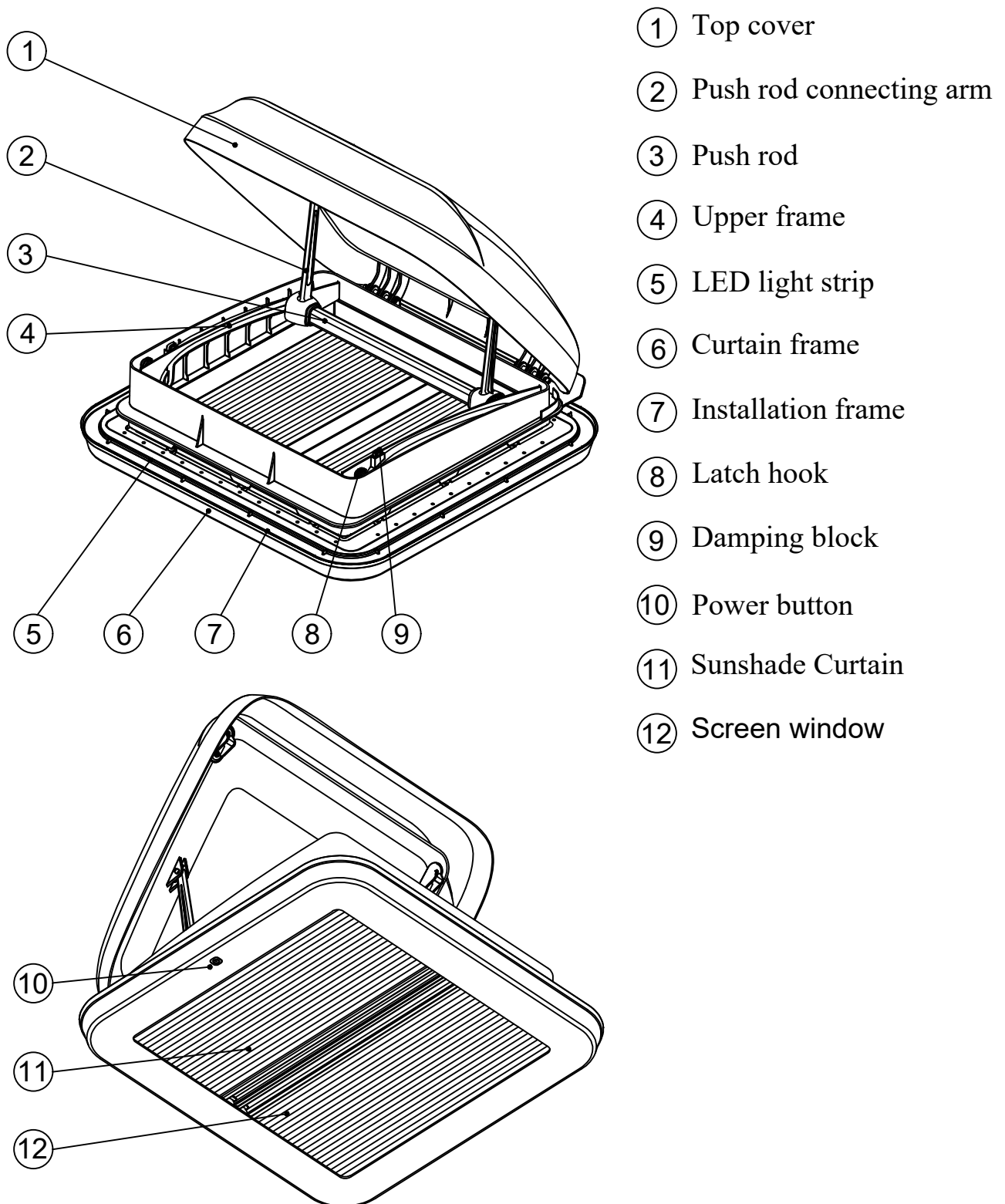
Others

Warranty regulations	13
Warranty card	14

o Thank you for your love for our products! Please read this manual carefully before installation.
After reading, please keep it in a safe place for future reference.

Main parts

Skylight







Precautions

Please read this manual carefully before installation, and install it in strict accordance with the provisions of this manual. After reading, please keep this manual properly.

In order to avoid property damage to users and others, please strictly follow the safety warnings and precautions.

o Signs and meanings

	Warning! There is a danger of serious injury or damage.
	Attention! Failure to follow the instructions may result in a risk of damage.
	This symbol indicates that this operation is prohibited.
	This symbol indicates information related to remarks.

Warning!

- 1.This product must be connected to a DC12V power supply and the positive and negative poles of the power supply must be correctly connected, and not reversed, otherwise it may damage the product or cause a fire.
- 2.Please close the top cover of the skylight before driving, otherwise the top cover may be damaged when driving.

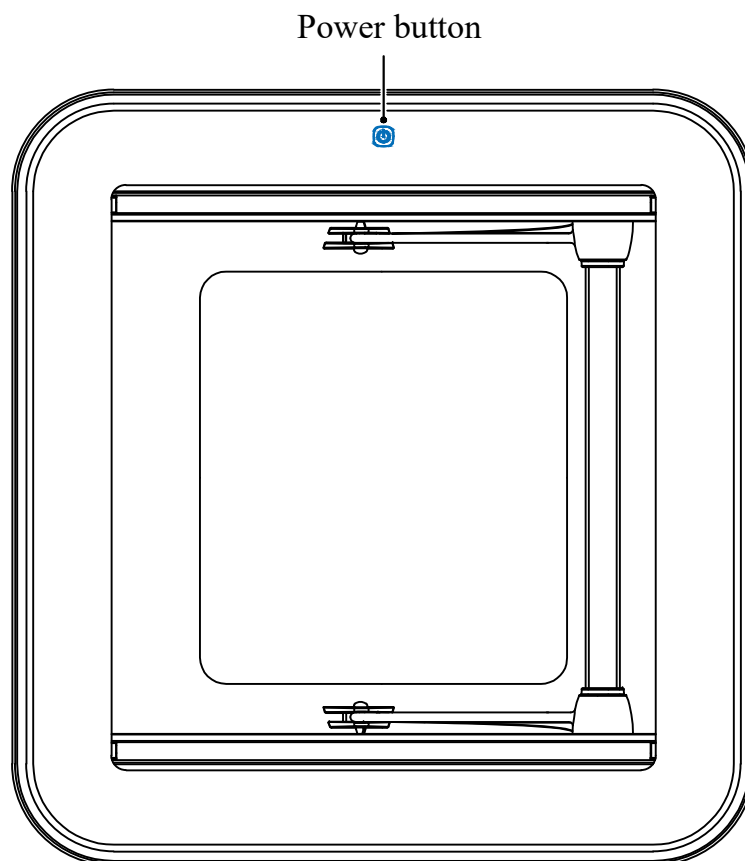
Attention!

- 1.In order to maintain a comfortable temperature, please do not fully open the sun shade curtain in the hot summer, please close the sun shade curtain completely or at least half to block direct sunlight into the car.
- 2.Please close the top cover of the skylight on rainy days, or open the top cover to the ventilated gear, but you need to switch the skylight from the ventilated gear back to the close when driving.
- 3.The skylight push rod can withstand a maximum pull-down force of 30kg. Do not hang heavy objects on the push rod.
- 4.When closing the top cover, please pull down the push rod to the end, make sure that both ends are stuck in the corresponding position and make a clicking sound, and make sure that the push rod is completely locked.

Skylight use

Ambient Light

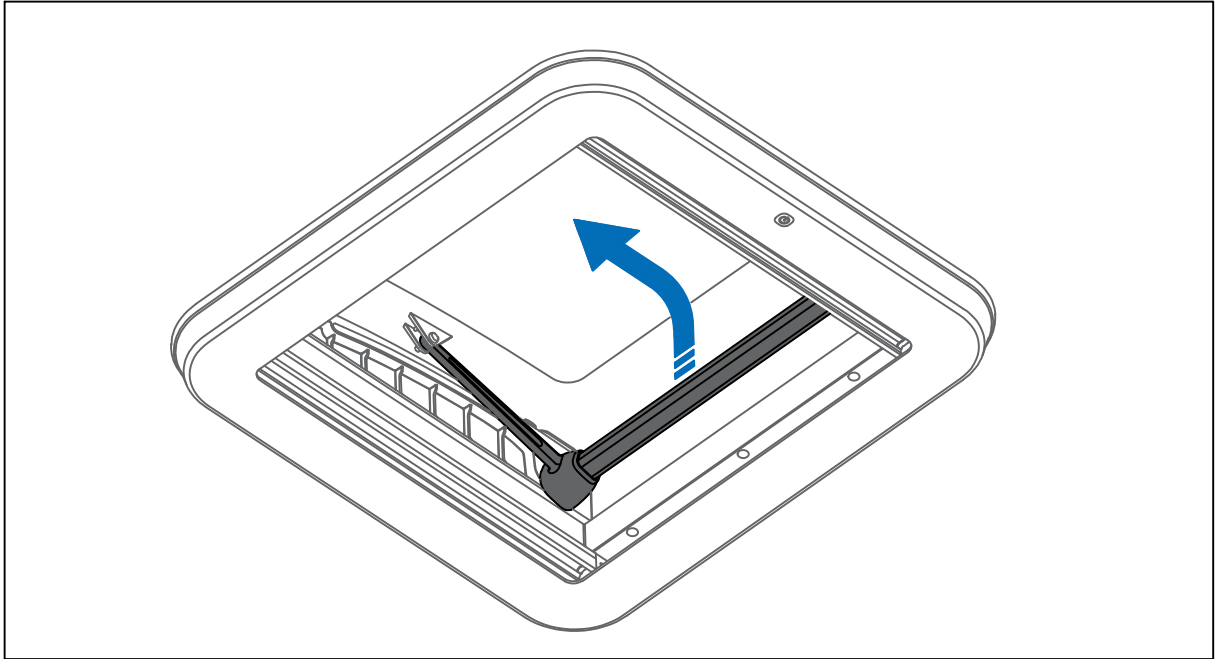
Number of touches	One	Two	Three	Four	Five
Corresponding function	1 st gear	2 nd gear	3 rd gear	Standby	1 st gear



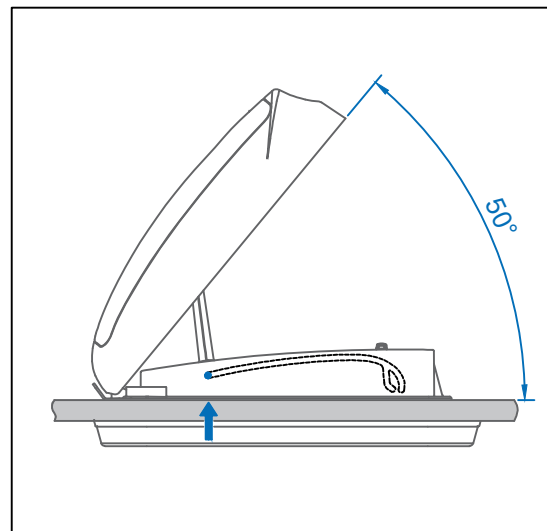
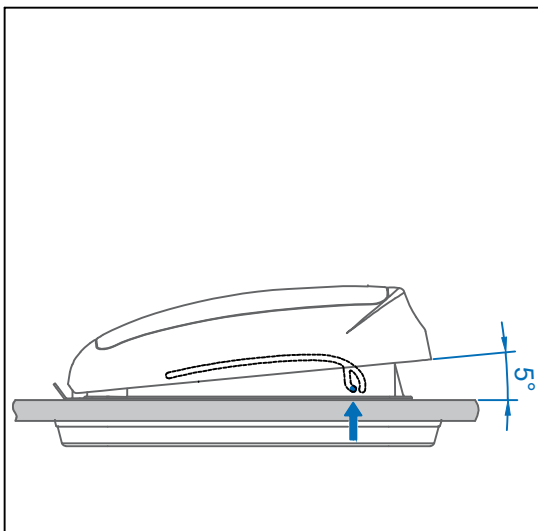
Please turn off the power when leaving the car for a long time!

Skylight use

Open the top covering the car



Push the push rod up to unlock and continue to slide toward the front of the car to fix the push rod at 5° semi-ventilated gear or 50° fully-ventilated gear



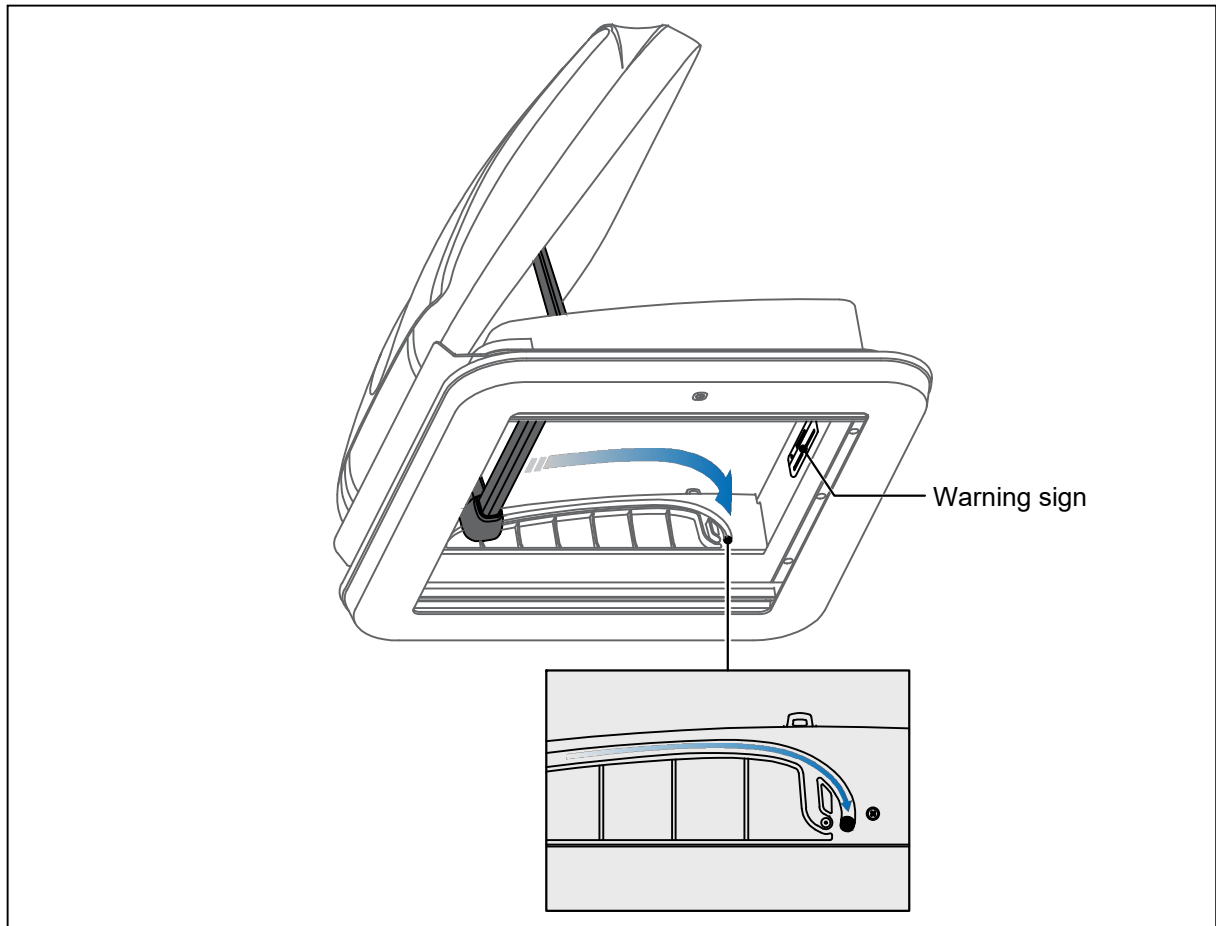
It is recommended to hold the middle position of the push rod when opening the top cover, this position is more conducive to unlocking.



Please close the top cover when driving, otherwise the product may be damaged. Please close the skylight in time in severe weather such as rain or snow.

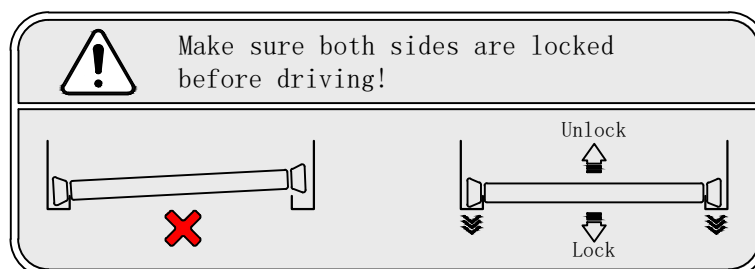
Skylight use

Close the top cover



Slide the push rod along the track to the end of the track (the red position in the picture) and make a click sound, which means that the push rod is locked

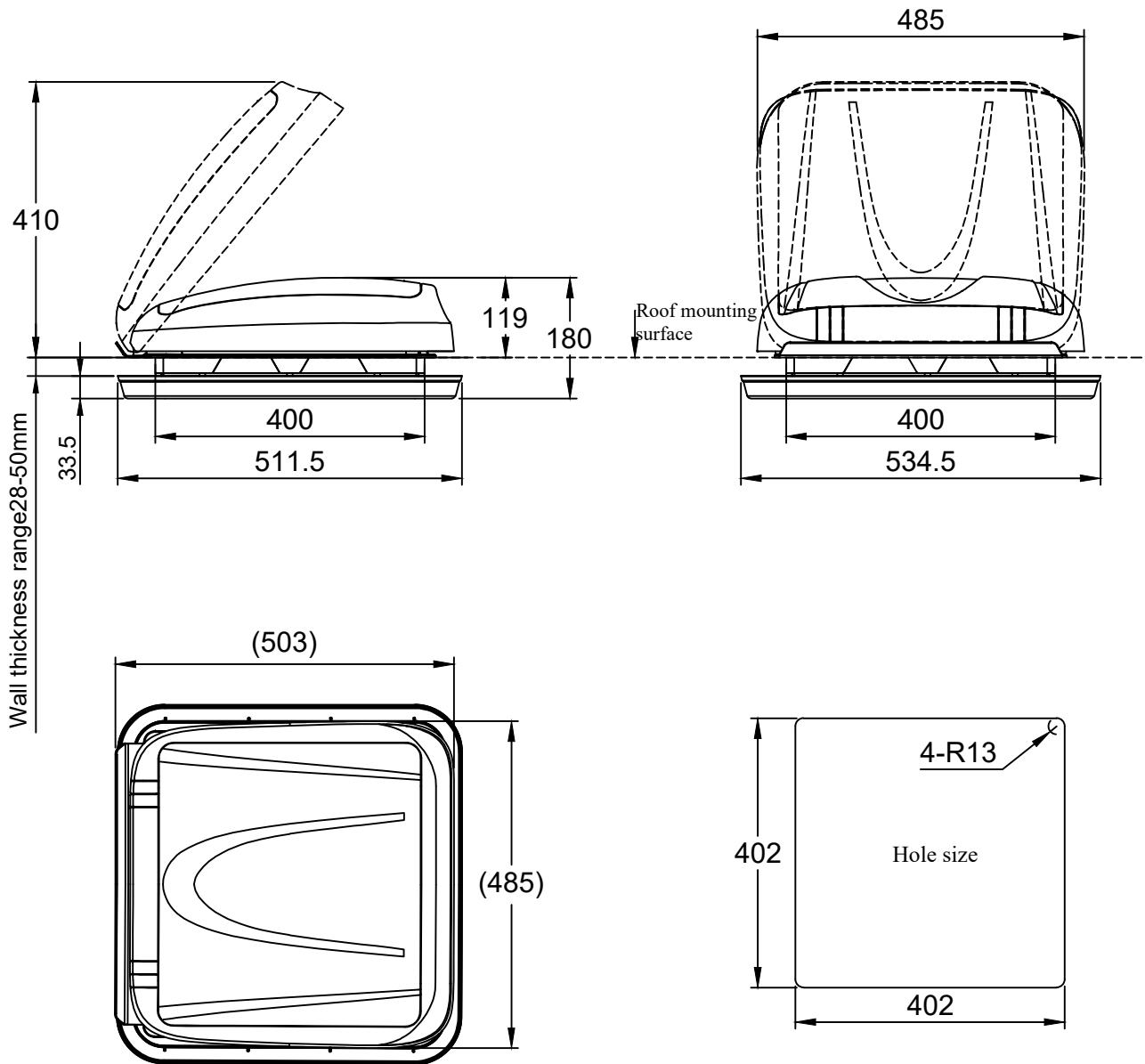
Warning sign



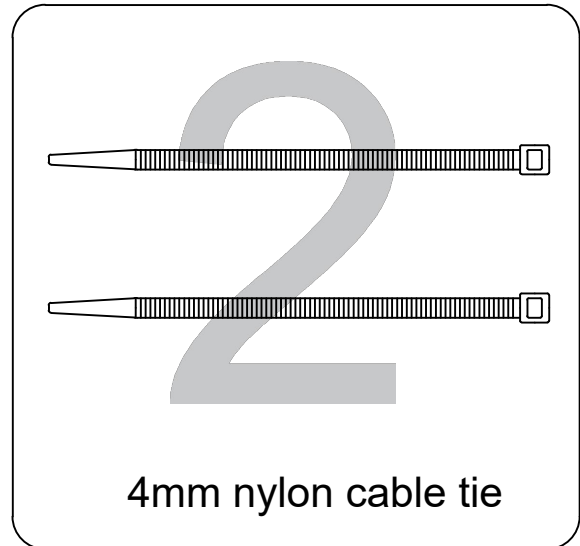
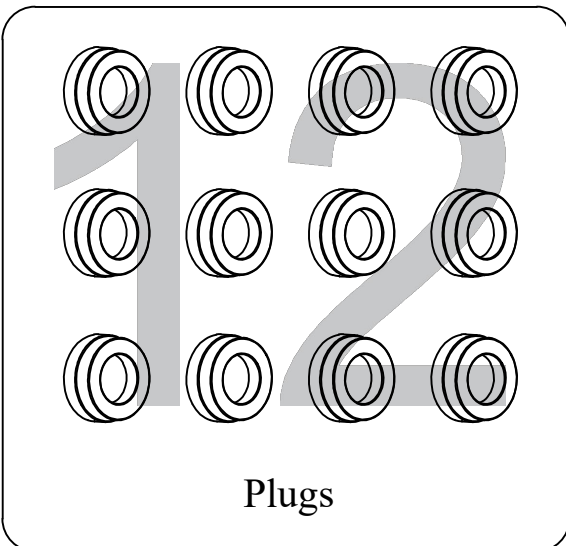
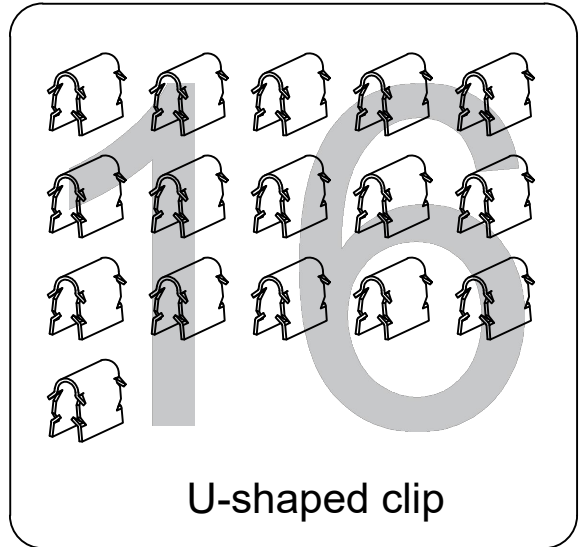
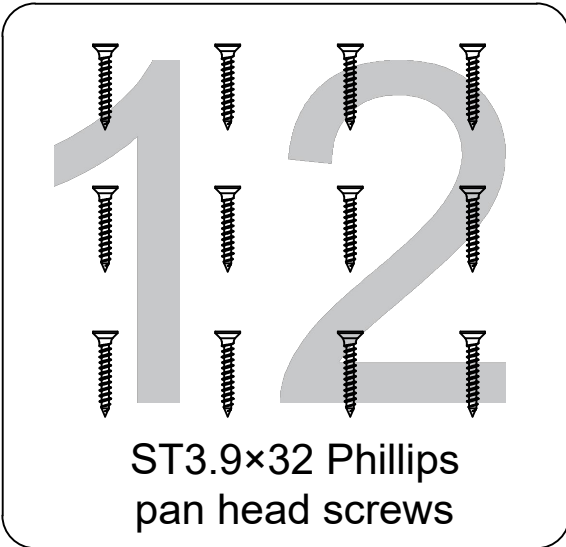
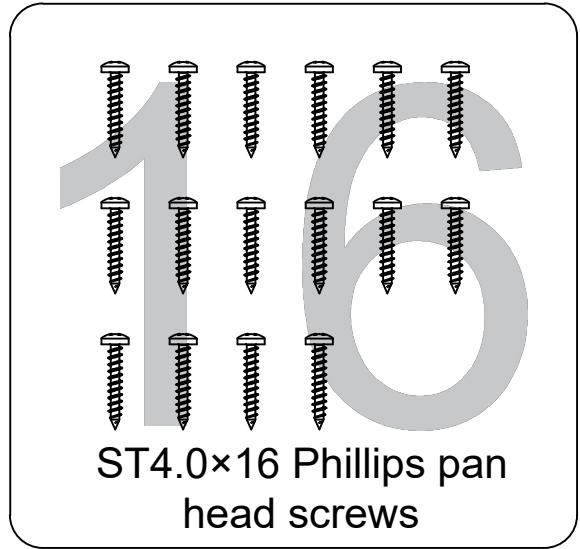
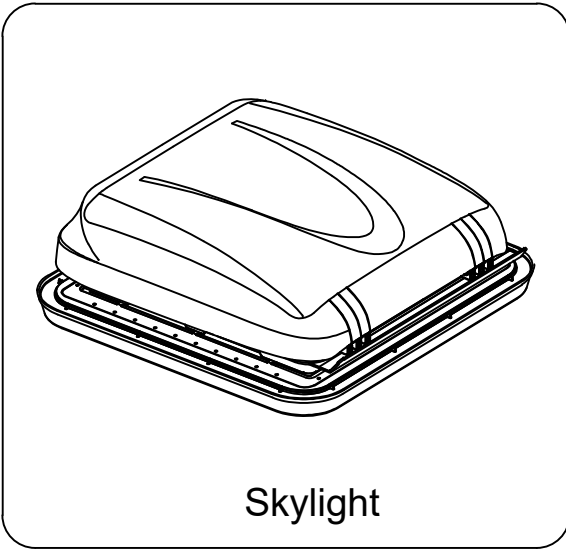
Please make sure that both ends of the push rod are locked before driving!

Installation size

Unit: mm

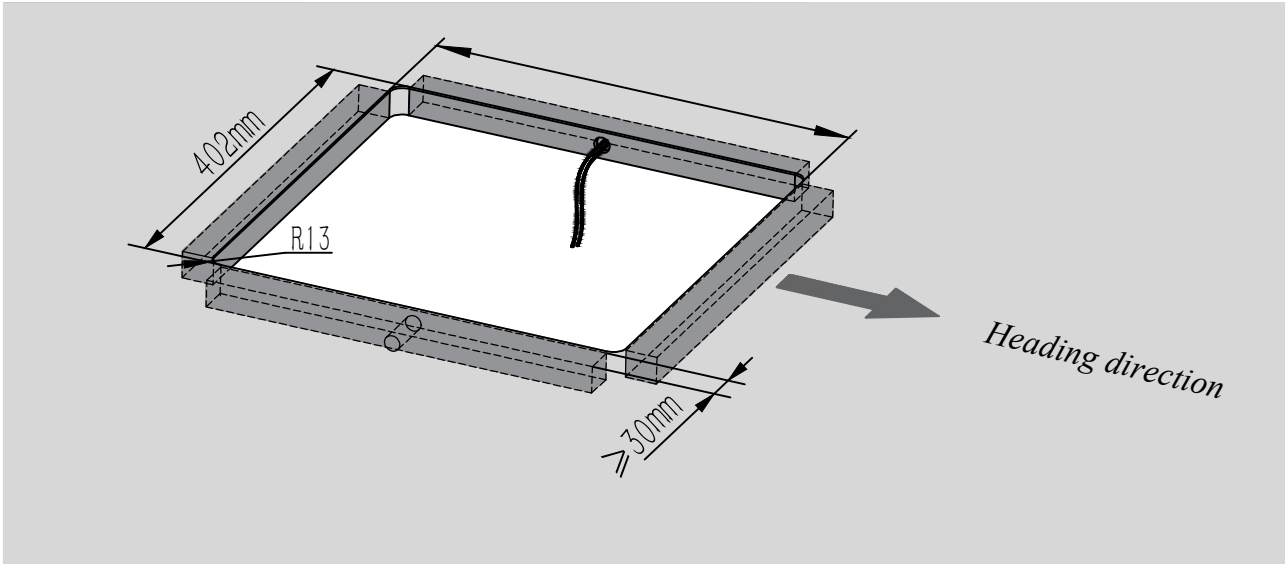


Packing list



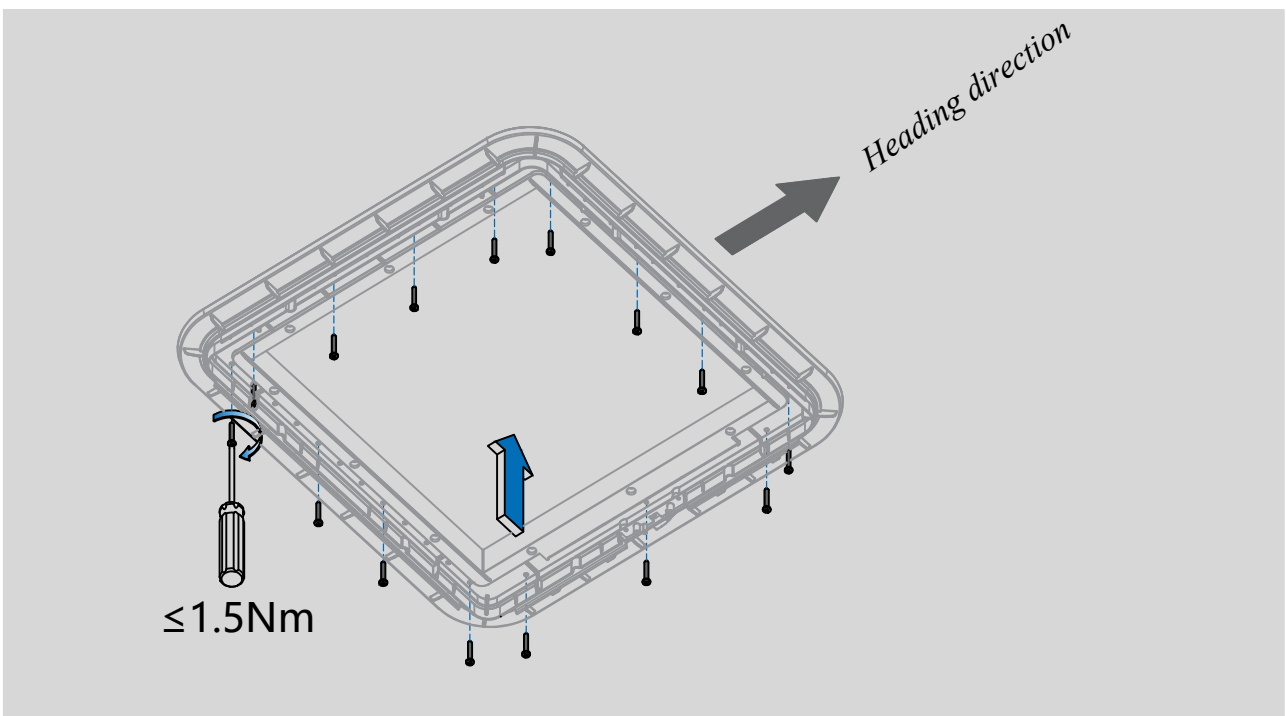
Install skylight

1、 According to the opening dimension drawing on the installation dimension page, cut the installation hole for the skylight on the roof (a solid wall $\geq 30\text{mm}$ wide is required around the opening so that the self-tapping screw can be firmly nailed into the wall), and you can choose to install it on the left or right(reserve a room for a power cord $\geq 50\text{mm}$ in the side hole).



This installation instruction takes the outlet on the left side of the car body as an example.

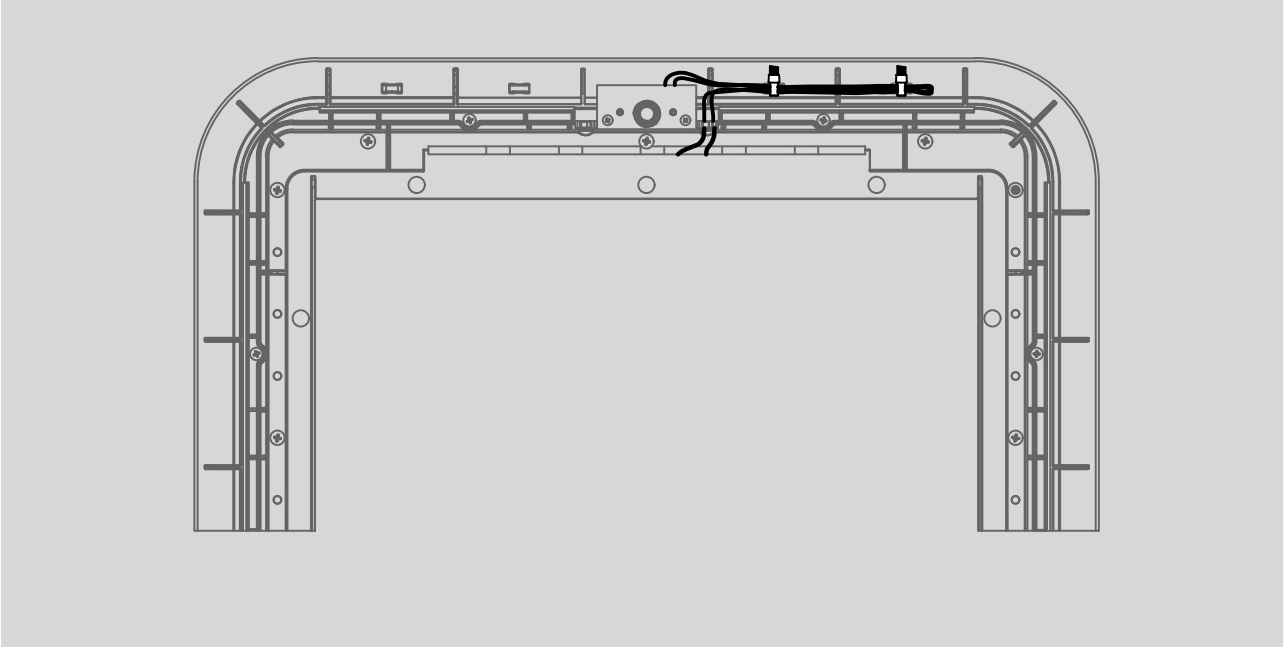
2、 After observing the position of the touch switch on the mounting frame, confirm the direction of the mounting frame according to the reserved position of the power cord (the switch position and the reserved line position are on the same side), and use 15 ST4.0 \times 16 self-tapping screws from the inside car to fix the mounting frame on the roof, and check whether the mounting frame is fixed well to the roof.



The frame body should be aligned with the hole in the center, with the same seams all around, and pay attention to protect the induction spring on the circuit board during installation.

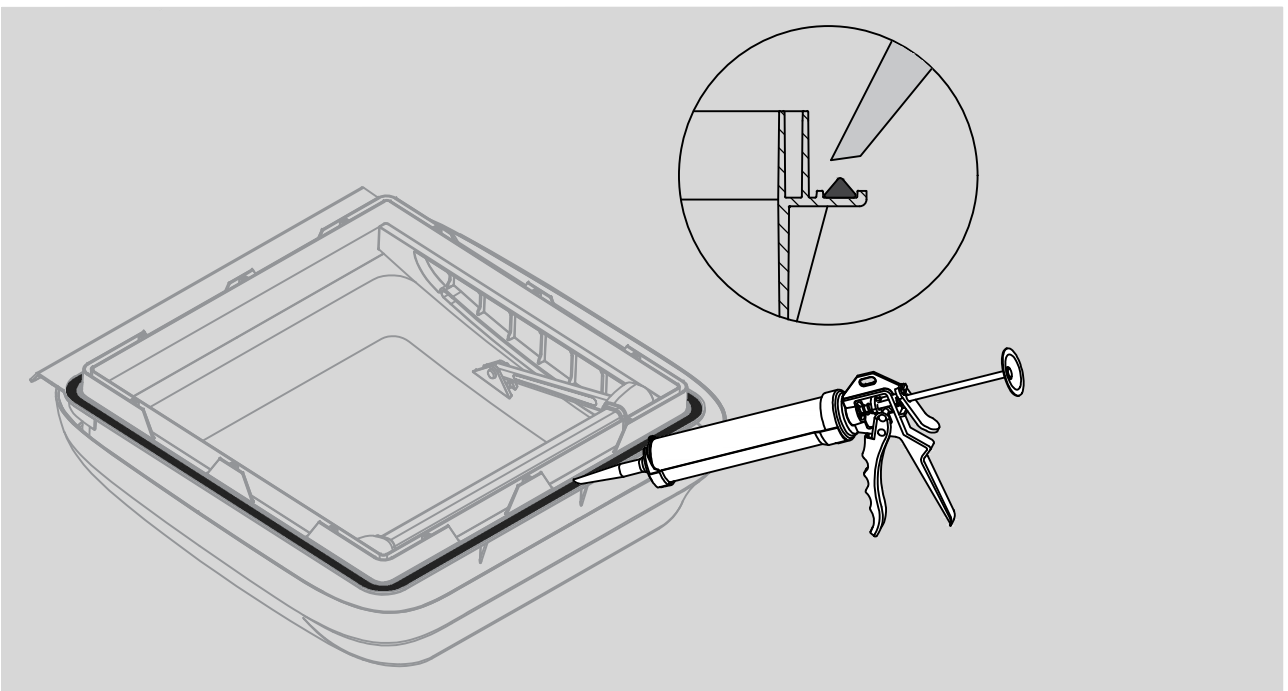
Install skylight

3、 Connect the reserved cord to the touch panel power cord and wrap it with electrical tape, and use a 4mm wide cable tie to tie the excess power cord to the fixed point of the light guide (there are fixed points on the left and right sides), and check whether the light strip works normally after power on.



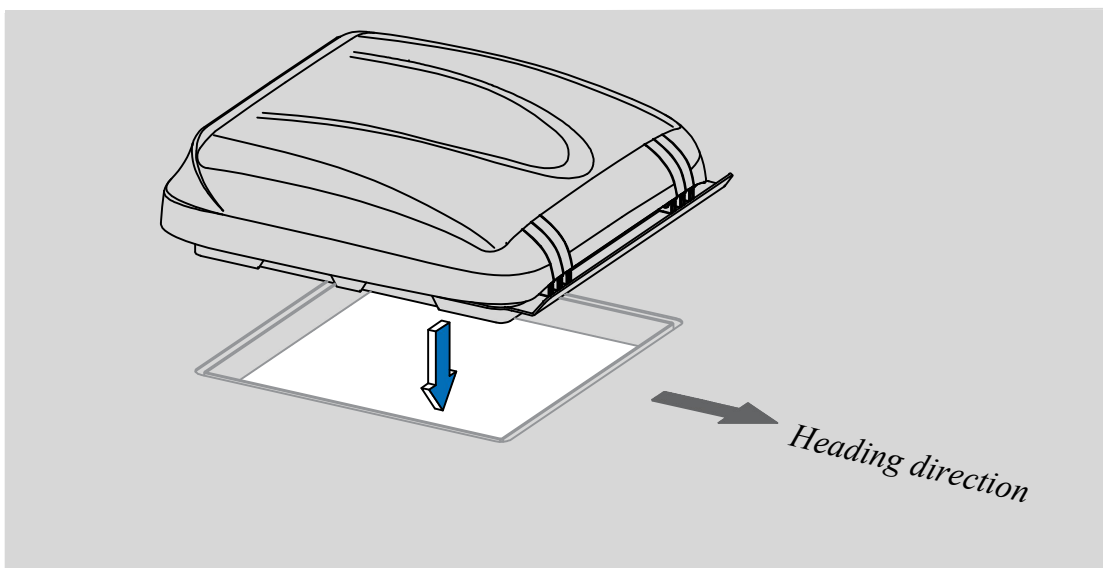
Pay attention to protect the spring on the circuit board during installation

4、 Apply a ring of sealant evenly in the glue groove of the upper frame of the skylight.

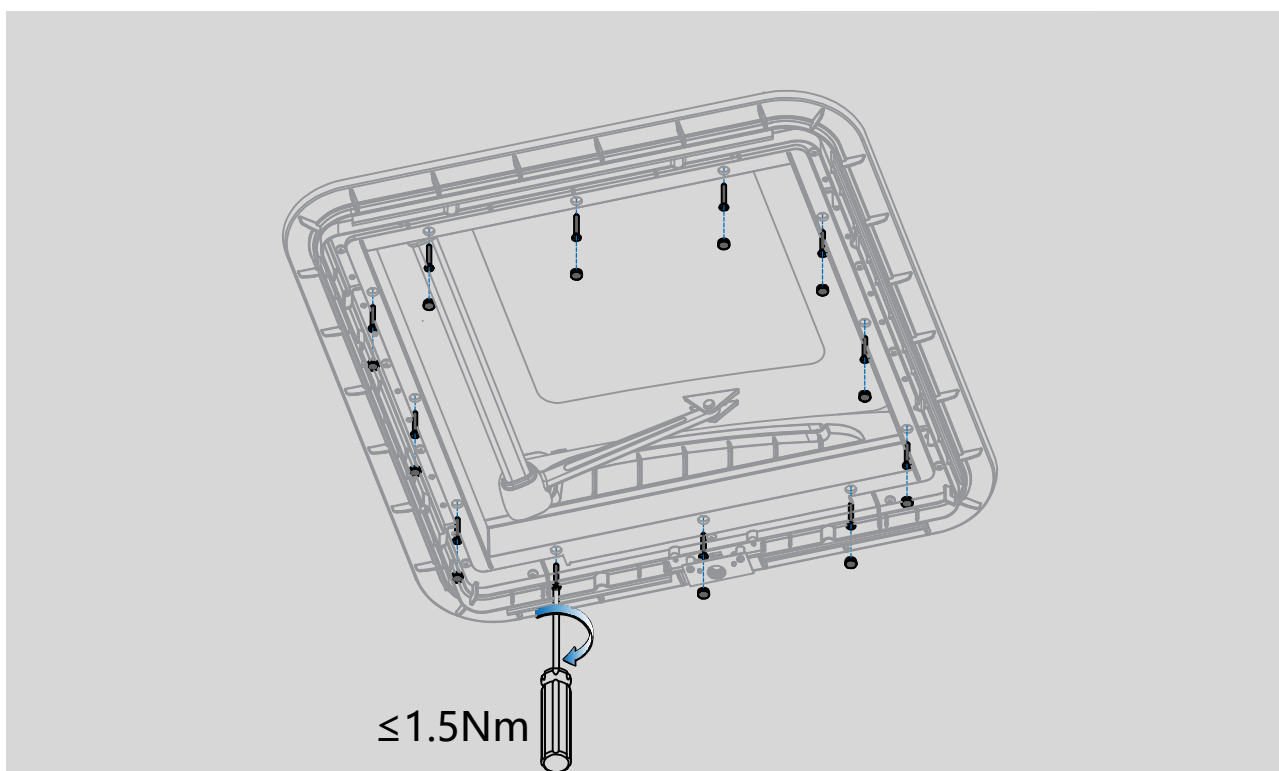


Install skylight

- 5、 Use a rag to wipe off the oil and dust on the roof mounting surface, and then install the upper part of the skylight into the hole.

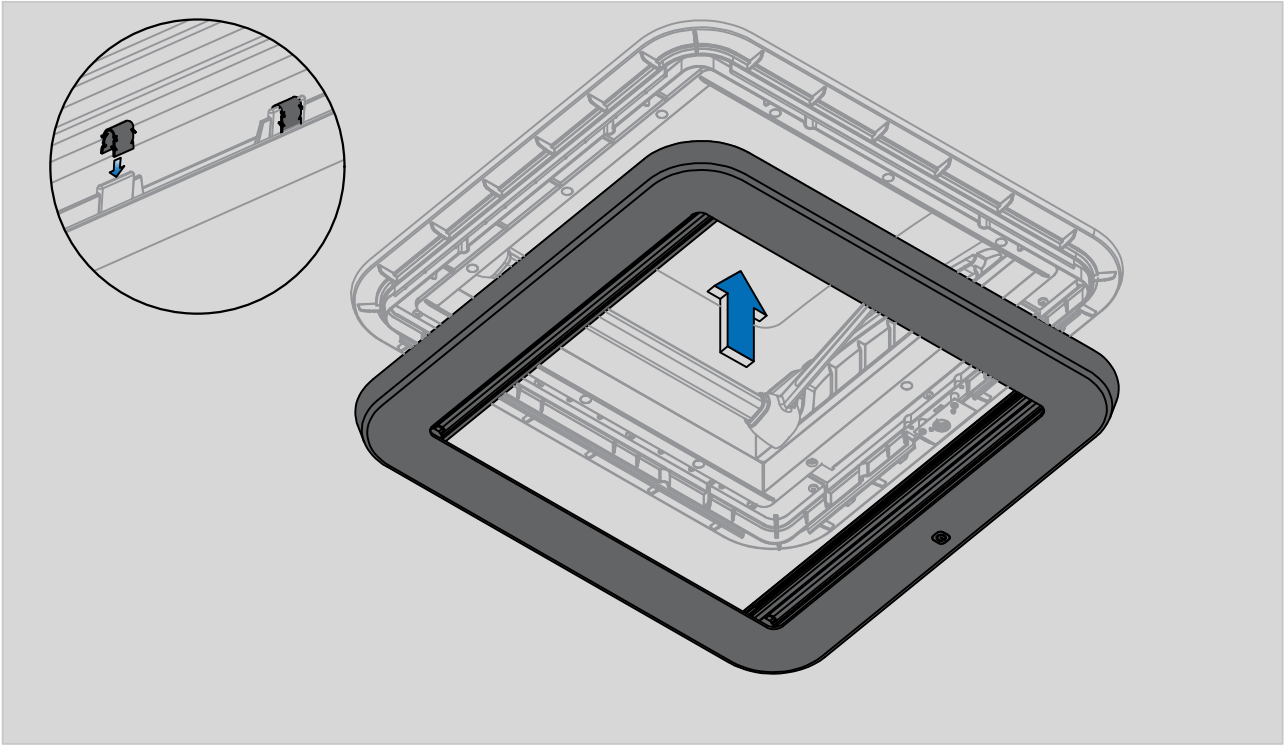


- 6、 Use 12 ST3.9×32 self-tapping screws to fix the upper part of the sunroof from inside the car, then insert 12 plugs into the screw holes and knock them flat.



Install skylight

7、 Clamp the 16 U-shaped clips onto the fins of the curtain frame and then clamp them upward into the installation frame, and pat the curtain with your hand or a rubber hammer to make it fully clamped, and finally check whether the curtain frame is tightly attached to the light guide.



8、 Check whether the lights, curtains, and top cover can be used normally.

Warranty regulations

1. One year warranty is provided for the whole product.
2. Within warranty period, please contact the manufacturer or return it to the sales outlet for repair if the product is defective.
3. Within the warranty period, a fee-based repair and lifetime service will be provided in case of one of the following cases:
 - 1) Failure to present warranty card and valid proof of purchase;
 - 2) Alteration of invoice;
 - 3) Failure and damage caused by accidental factors and improper use;
 - 4) Failure and damage caused by self-repair without authorization;
 - 5) Damage caused by using a power supply or voltage other than specified;
 - 6) Products that have been repaired and continue to be used beyond the validity period of warranty;
4. The validity period of warranty is from the date of receiving. During the validity period of warranty, consumers can apply for repairs, returns and exchanges with the invoice and the warranty card.

Warranty card

Product name: _____
Product model: _____
Serial number: _____
Date of manufacture: _____
Customer name: _____ Contact number: _____
Customer address: _____

Warranty content: _____
After sales: _____
Customer signature: _____ Satisfied Dissatisfied

Warranty content: _____
After sales: _____
Customer signature: _____ Satisfied Dissatisfied

Warranty content: _____
After sales: _____
Customer signature: _____ Satisfied Dissatisfied